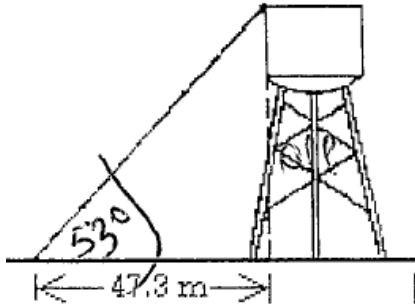


### Answer on Question #48253 – Math – Trigonometry

Suppose you have been to measure the height of the local water tower. Climbing makes you dizzy, so you decide to do the whole job level. From a point 47.3 meters from the base of the tower, you find that you must look up at an angle of 53 degrees to see the tower. How tall is the tower? Draw the triangle.

#### Solution



$$\tan 53^\circ = \frac{h}{47.3} \rightarrow h = 47.3 \cdot \tan 53^\circ = 62.8 \text{ m.}$$

**Answer: 62.8 m.**