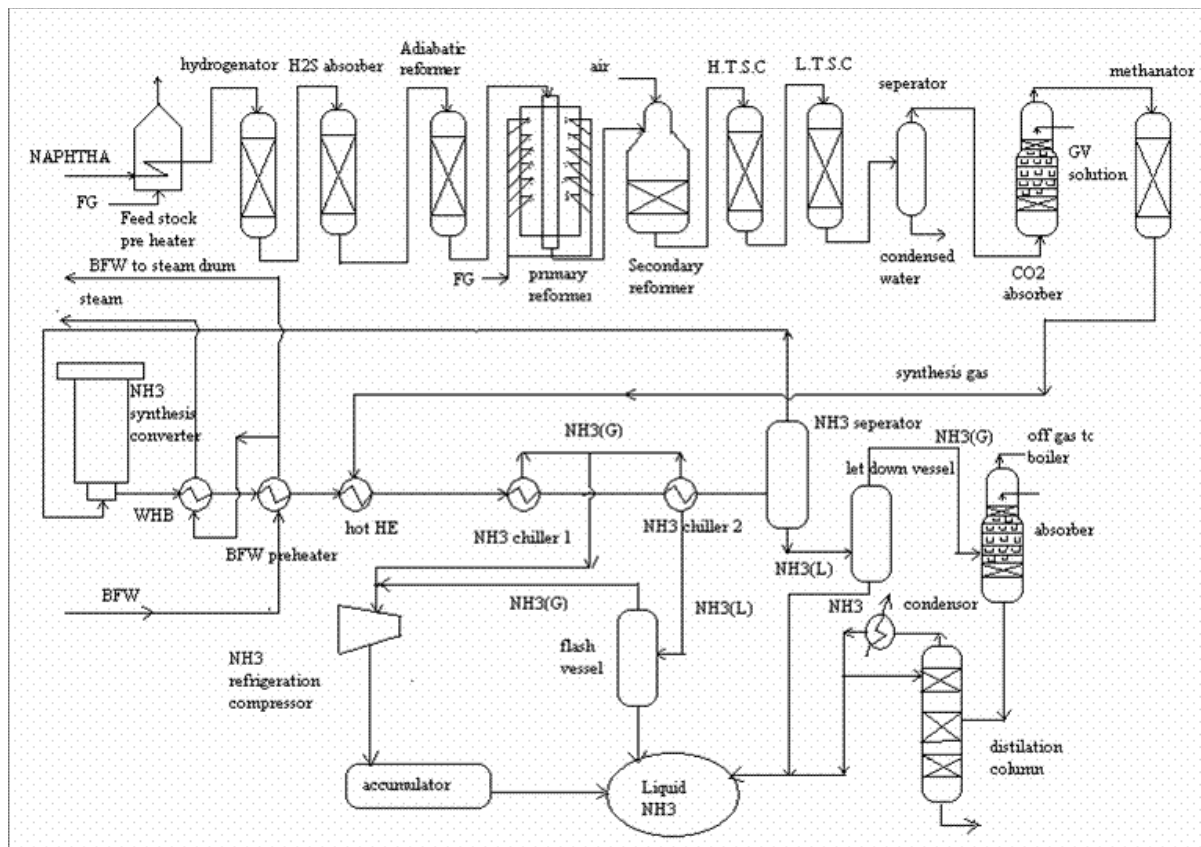


Answer on Question #76613, Chemistry / General Chemistry

What is the name of instrument in which Haber's process is carried out?

Answer

Haber process is very complicated. That's why there are a lot of steps and instruments in the technological scheme. But the main part where ammonia is directly formed is called **NH₃ converter** or **the column of synthesis**.



Answer provided by <https://www.AssignmentExpert.com>